

**PRODUCT TECHNICAL SHEET**

Collection :	DEVILLE	Ref. :	1955.11.74
--------------	---------	--------	------------

Thermostatique à encastrer  
Inbouw thermostaat  
Concealed thermostatic

**Picture**

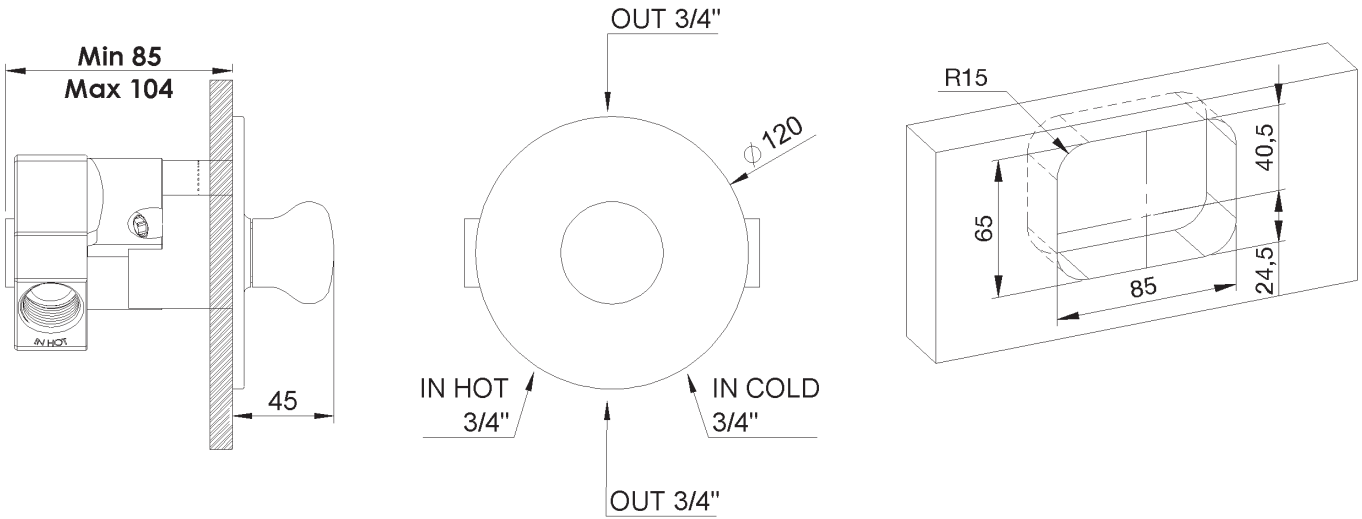
**Product details**



Flow at 3 bar : 32 l/min

T° mechanism : Thermostatic wax cartridge

**Technical drawing**



RA1.V01